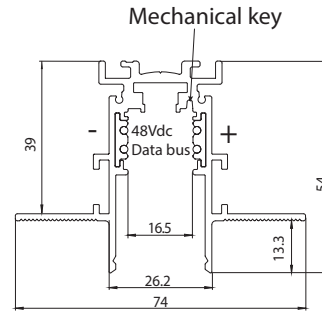
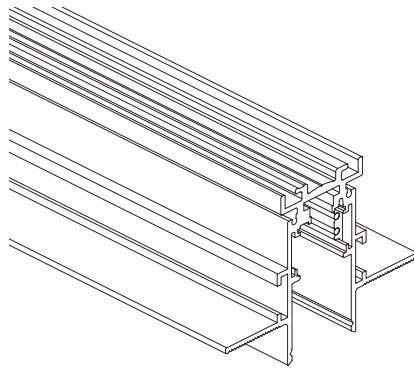
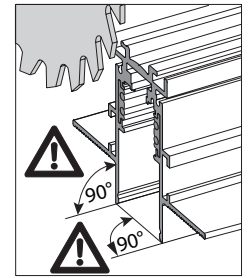
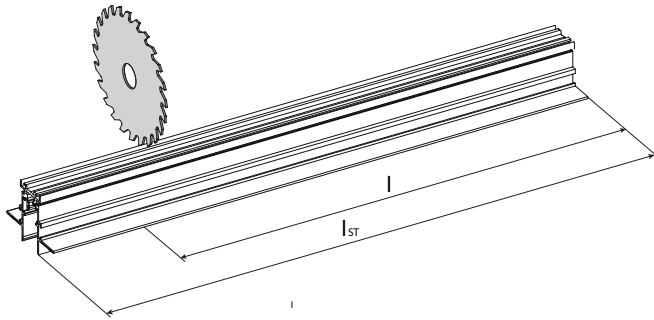
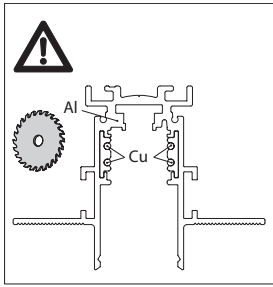


4.8V

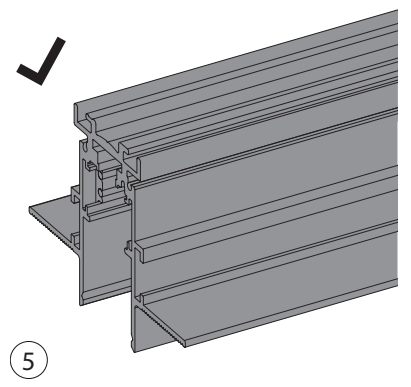
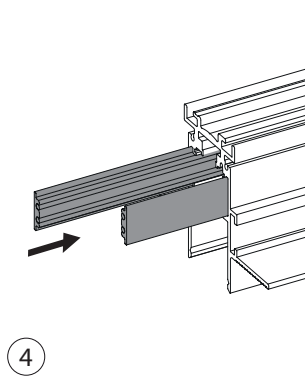
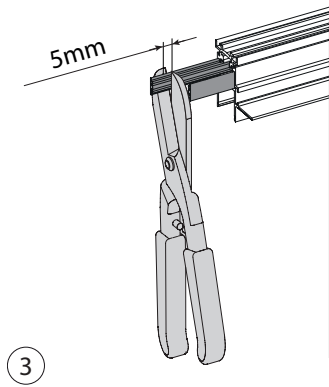
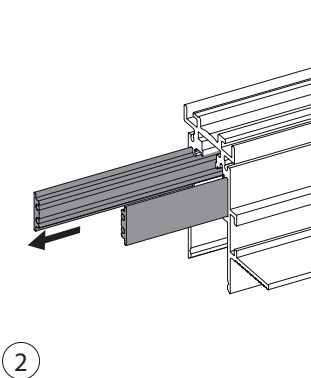
ST5



CUTTING

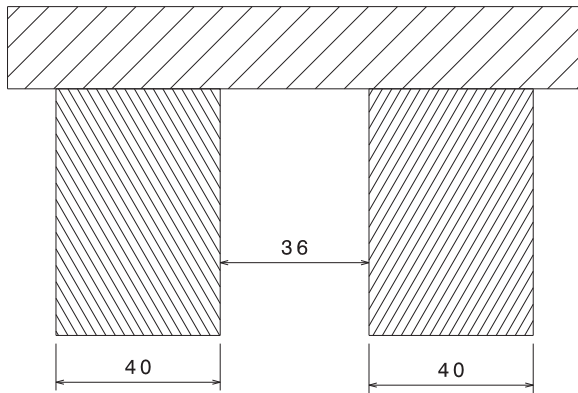


1

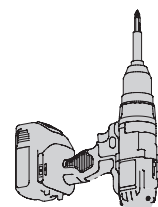
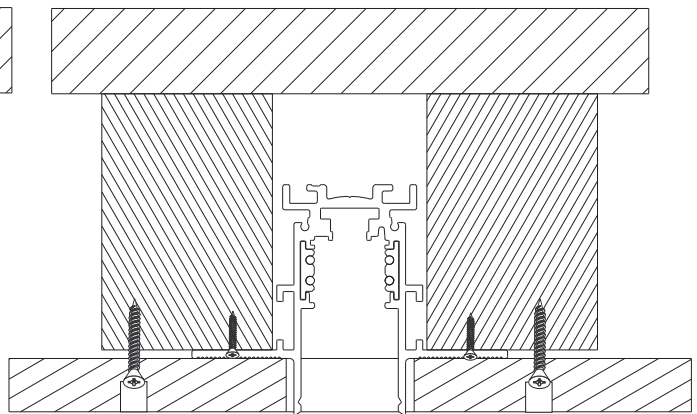
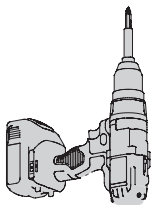
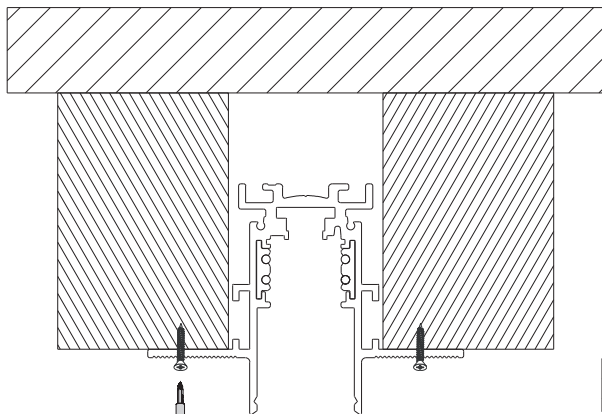
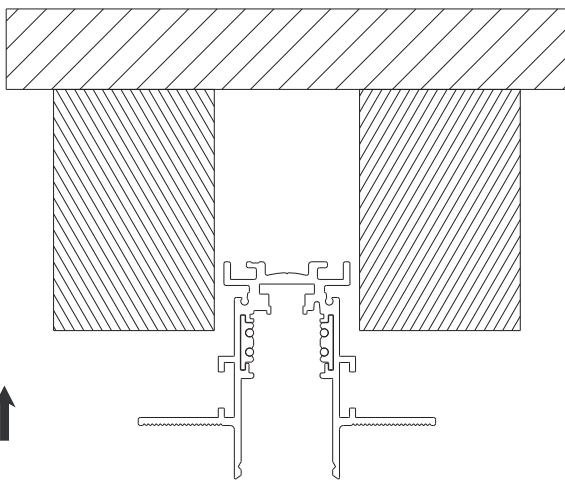


TRIMLESS FIXING METHOD 1 : with supports

Plasterboard is very close to concrete ceiling.

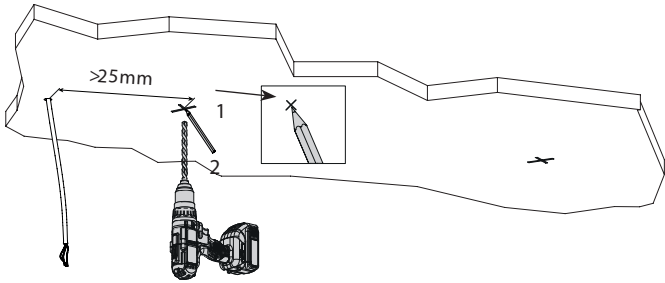


Mount wooden supports to concrete ceiling

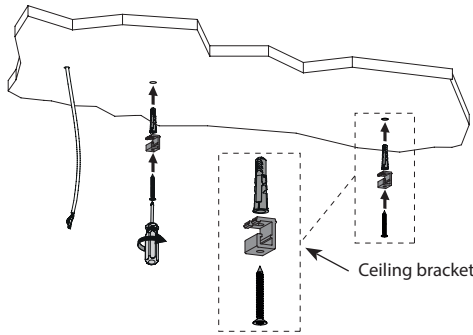
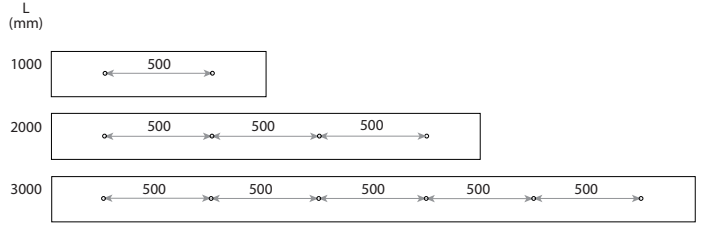


TRIMLESS FIXING METHOD 2 : with suspension set

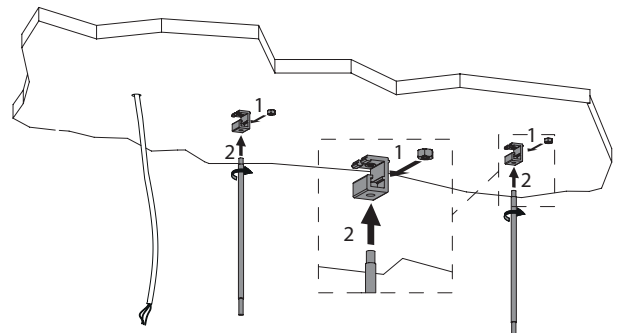
Plasterboard is further away from concrete ceiling.



1

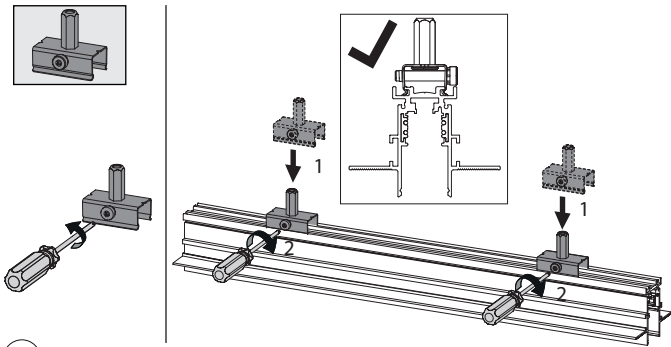


2

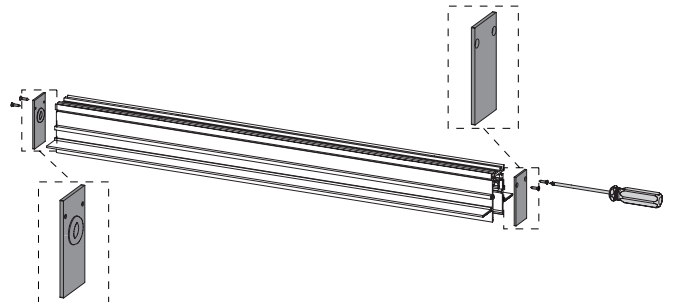


3

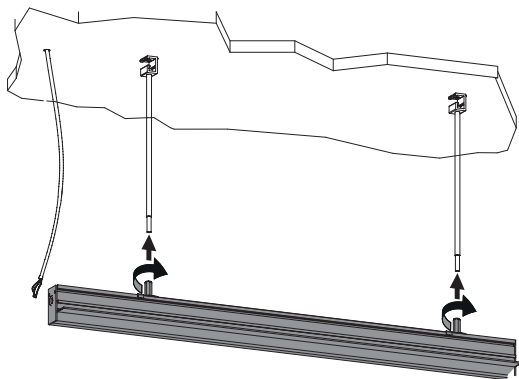
Cut rod depending on distance between concrete ceiling - plasterboard



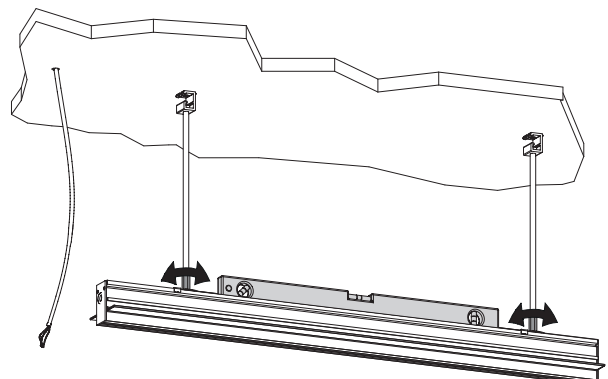
4



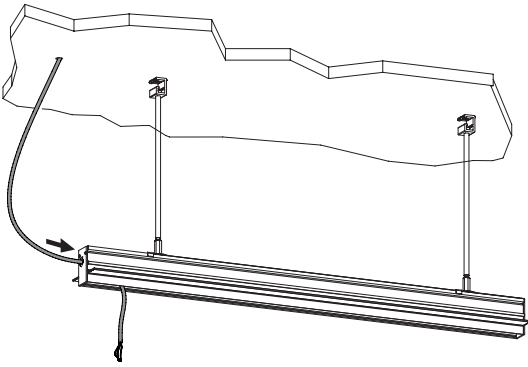
5



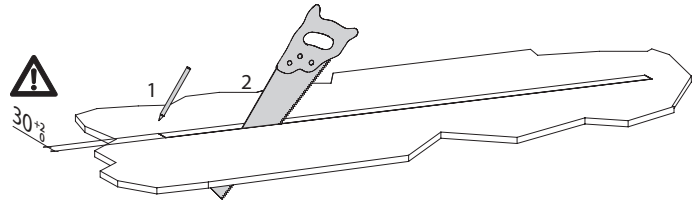
6



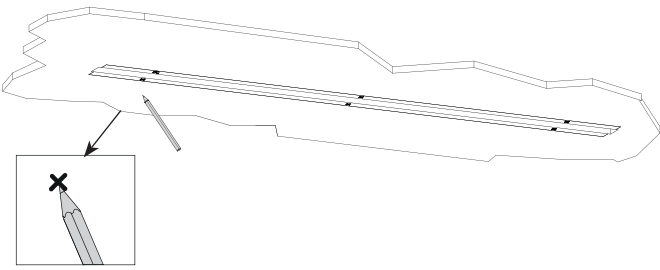
7



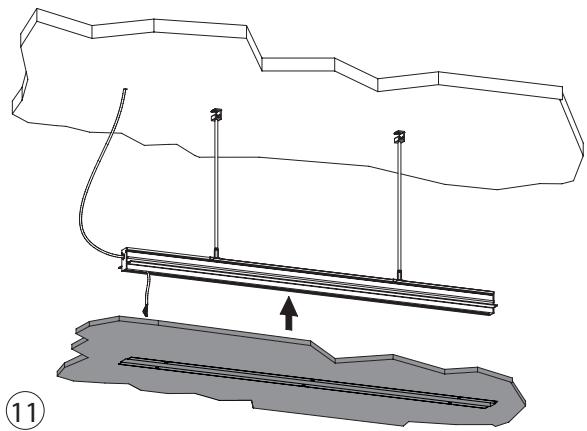
8



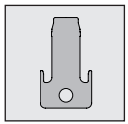
9



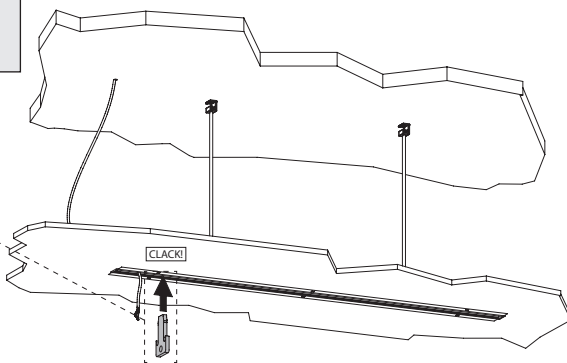
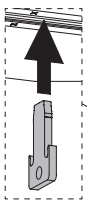
10



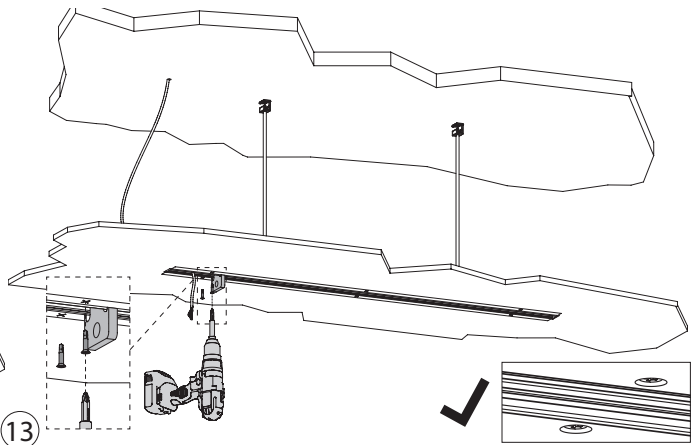
11



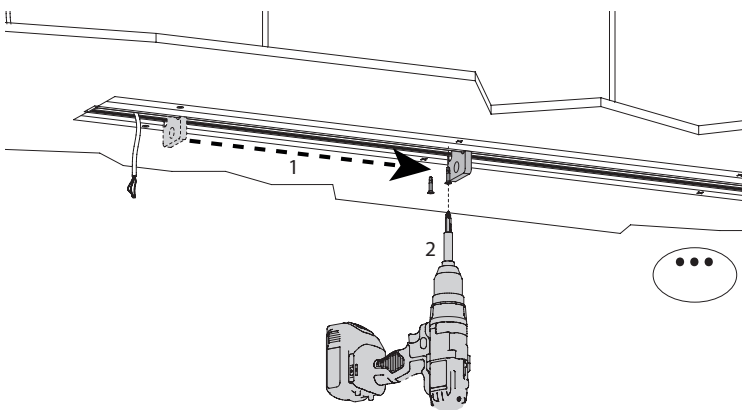
Template



12



13

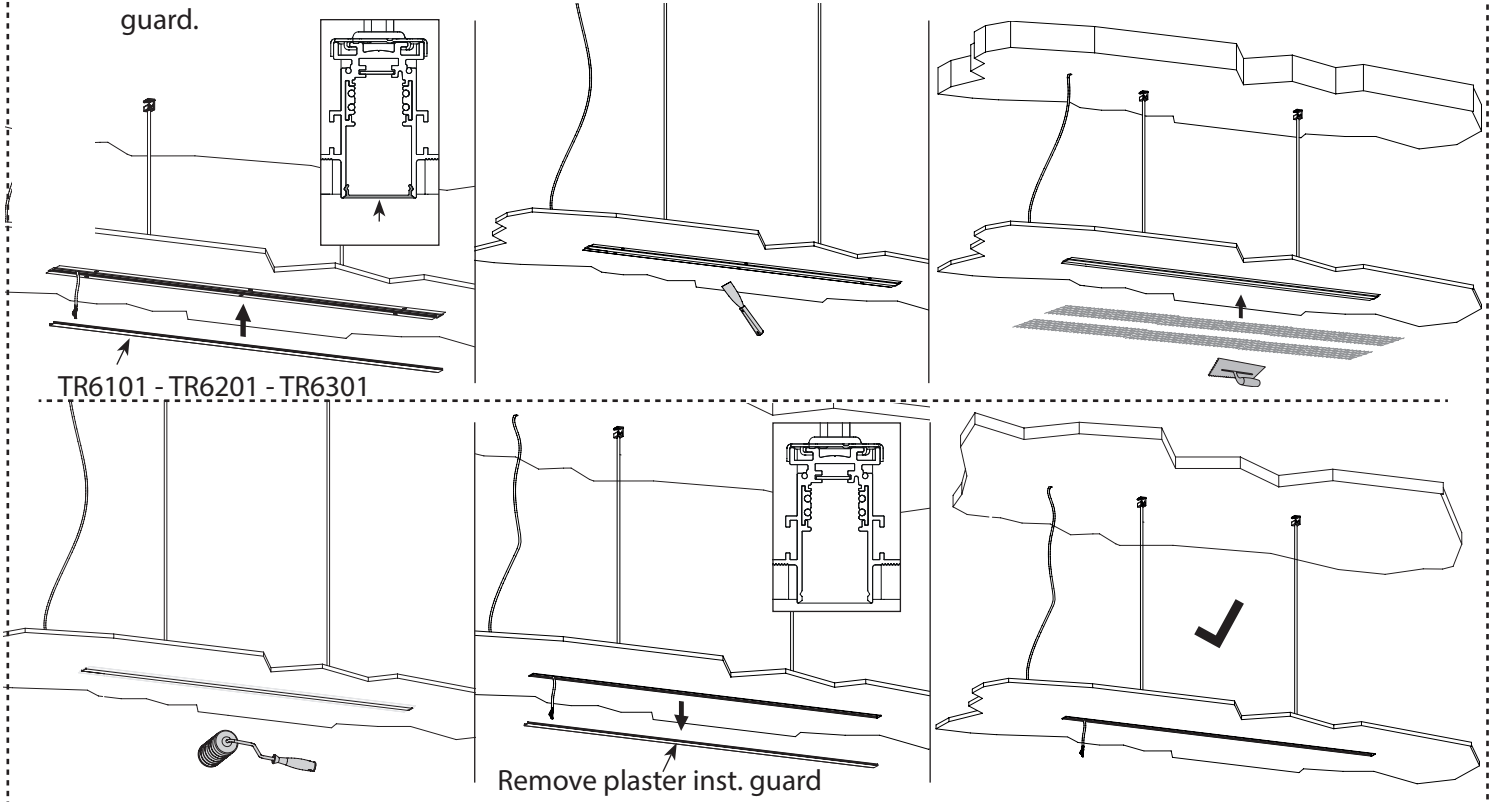


14

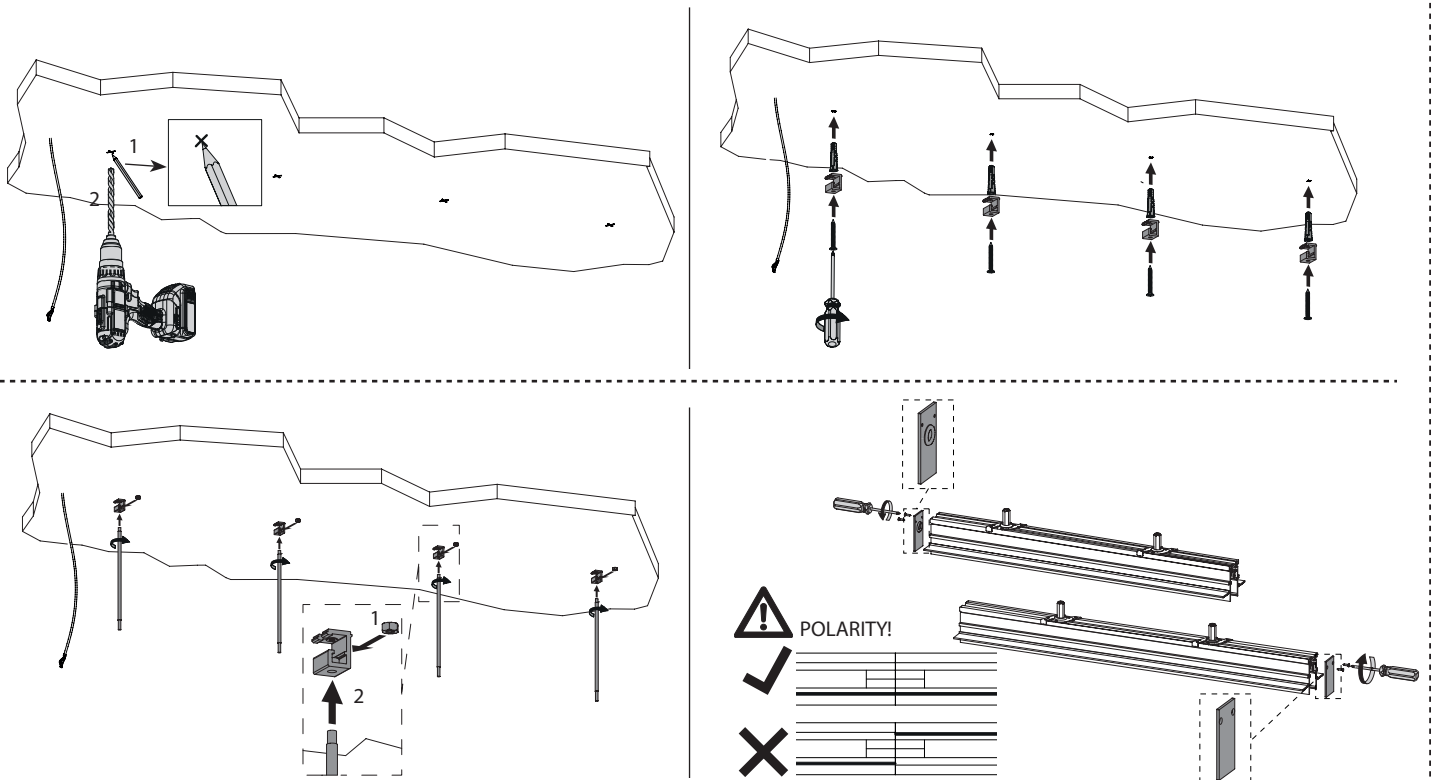
Remove template after last fixing.

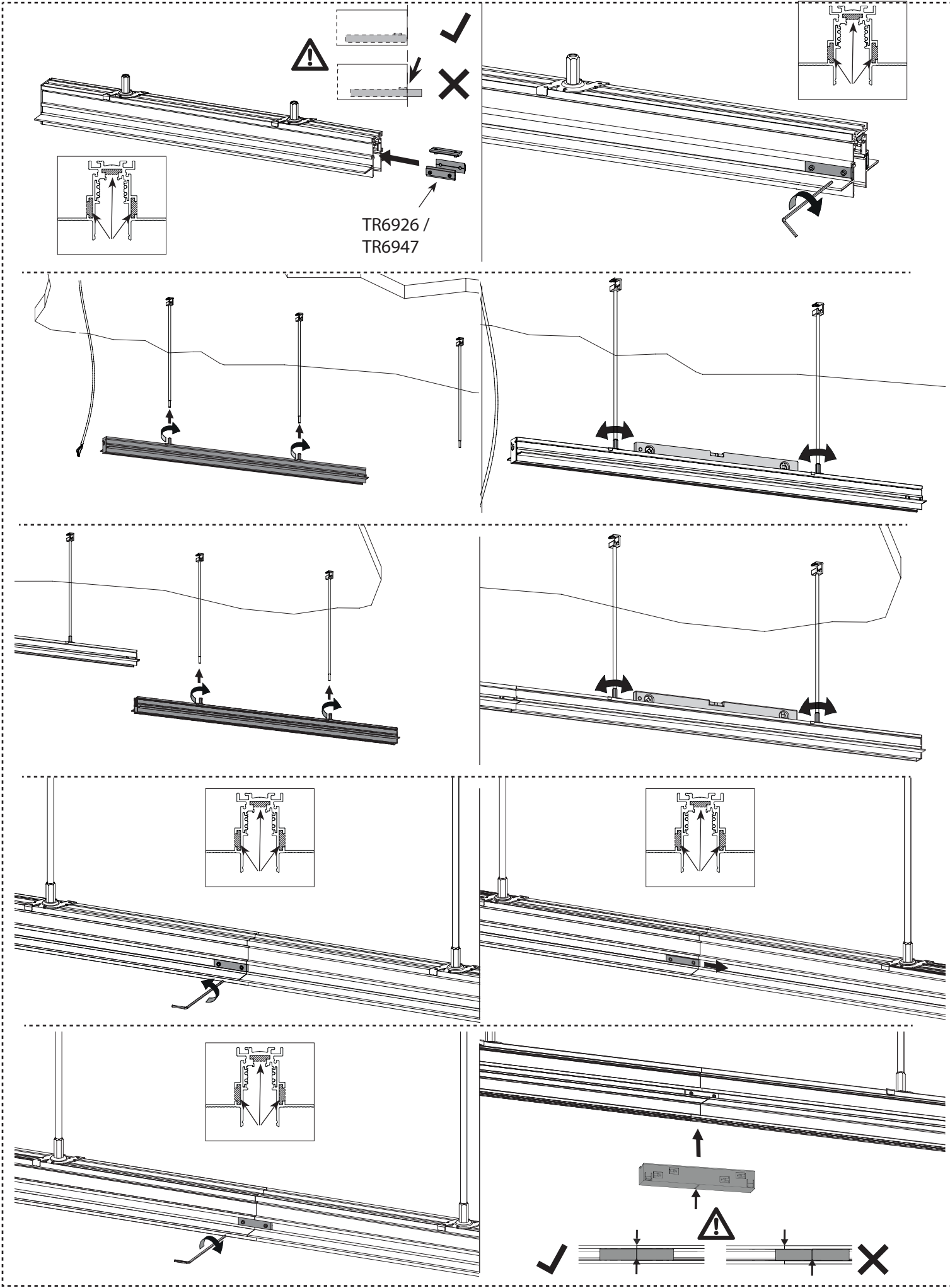
FINISHING PLASTERBOARD CEILING

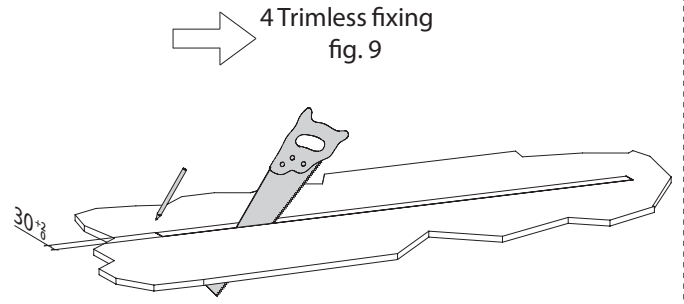
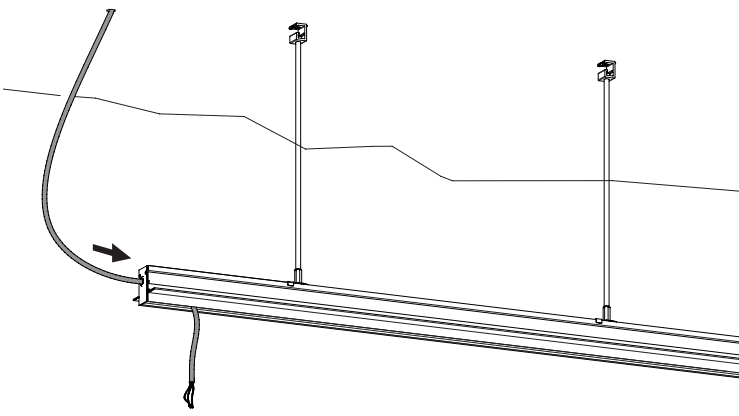
Use plaster installation guard.



IN ROW USE







CORNER

